



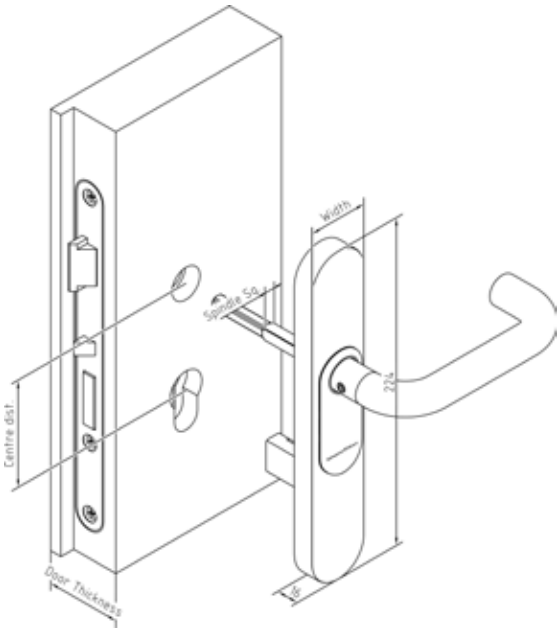
// **FEATURES**

- ⚡ Thanks to drill-free snap-in installation, doors remain undamaged and installation times are dramatically reduced.
- ⚡ Suitable for exterior doors as it is weatherproof.
- ⚡ Secure, robust design: Increased burglary protection with DIN 18257 (ES1), SKG and PAS24 certifications.
- ⚡ In the case of WirelessOnline: option of wireless online door monitoring: sensitive areas can be equipped with DoorMonitoring on request. The cable-free online door monitoring system records, logs and reports all door statuses using sensor control to detect whether doors are open, closed, locked or open too long. It also sounds an alarm in the event of critical events.
- ⚡ Award-winning design: SmartHandle has been honoured with the reddot Design Award a number of times.
- ⚡ Also available in variants with mechanical secondary locking device.

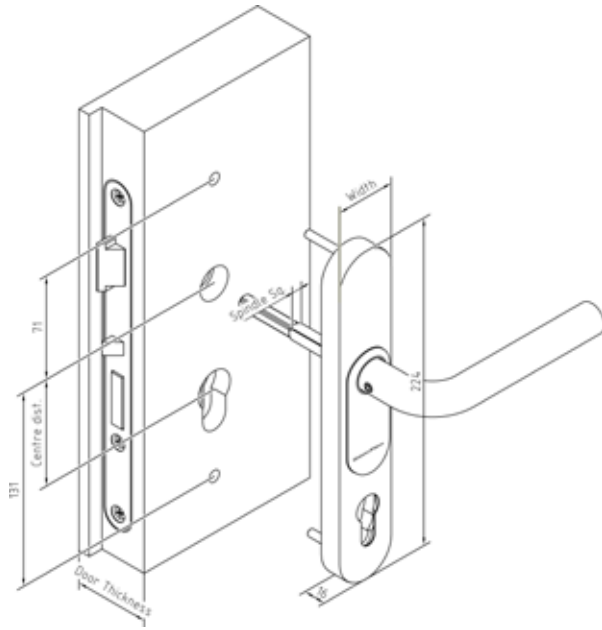
// **TECHNICAL DATA**

Country variants	<ul style="list-style-type: none"> ⚡ Euro profile cylinder ⚡ Swiss Round 	Battery life	Up to 80,000 lock operations or up to 5 years on standby (WirelessOnline)
Dimensions for snap-in and conventional installation (WxHxD):	Euro Profile cylinder/Swiss Round <ul style="list-style-type: none"> ⚡ Narrow: 41x224x16 mm ⚡ Wide: 53x224x16 mm 		Up to 50,000 lock operations or up to 5 years on standby (Virtual Card Network)
Door dimension specifications	<ul style="list-style-type: none"> ⚡ Door thickness: 39–100 mm ⚡ Centres distance: 70–94 mm ⚡ Spindle: 7 8 8.5 9 10 	Temperature range	Operational: -20 °C to +50 °C
Reader systems	<ul style="list-style-type: none"> ⚡ Wireless online: (MIFARE® Classic, MIFARE® DESFire®/EV1/EV2/EV3, UID [card serial number] as per ISO 14443 [e.g. MIFARE®, Legic® Advant, HID® SEOS]) ⚡ Virtual card network: MIFARE® Classic, MIFARE® DESFire®/EV1/EV2/EV3 	Feedback signals	Audible (buzzer) Visual (blue/red LED)
Operation types	Online: WirelessOnline (WO) Offline: Virtual Card Network (VCN)	Accesses loggable offline	WO: up to 250 if locking device offline VCN: up to 1,000
Battery type	2x CR2450, 3 V, lithium	Number of credentials which can be managed per SmartHandle	Depends on system integrator
		Wireless network 868 MHz	Network-ready with integrated LockNode (WO)
		Can be upgraded	Firmware upgradable

// DIMENSIONS FOR SNAP-IN INSTALLATION



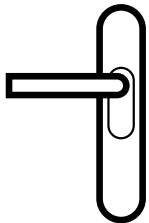
// DIMENSIONS FOR CONVENTIONAL INSTALLATION WITH MECHANICAL SECONDARY LOCKING DEVICE



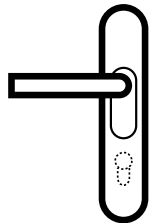
* Available in different widths
Measurements indicated in mm



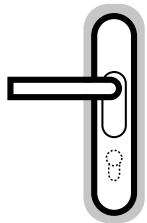
// VARIANTS



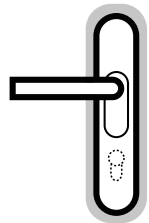
Hole-free snap-in installation (SHA...A/B)



Conventional mounting with option for mechanical secondary locking device (SHA/SHC/SHD...C-L)



Fastening system for installing on escutcheons with the option of a mechanical secondary locking device* (SHF/SHG...E-L)



Fastening system for metal frame doors with the option of a mechanical secondary locking device* (SHH/SHI...E-L)

* Delivered with an additional adapter plate for installation

// CERTIFICATES



- National technical approval
- EN 1634
- EN 179
- EN 1906 (Grade 4)
- DIN 18257 (ES1)
- SKG
- PAS 24

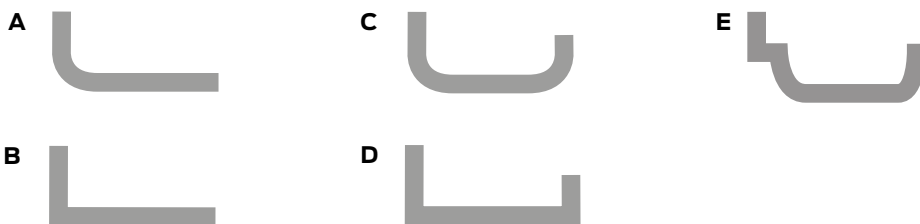


// FINISHES

- Stainless steel, brushed
- Brass



// HANDLES



See price list for further variants, options and accessories.