



// **FEATURES**

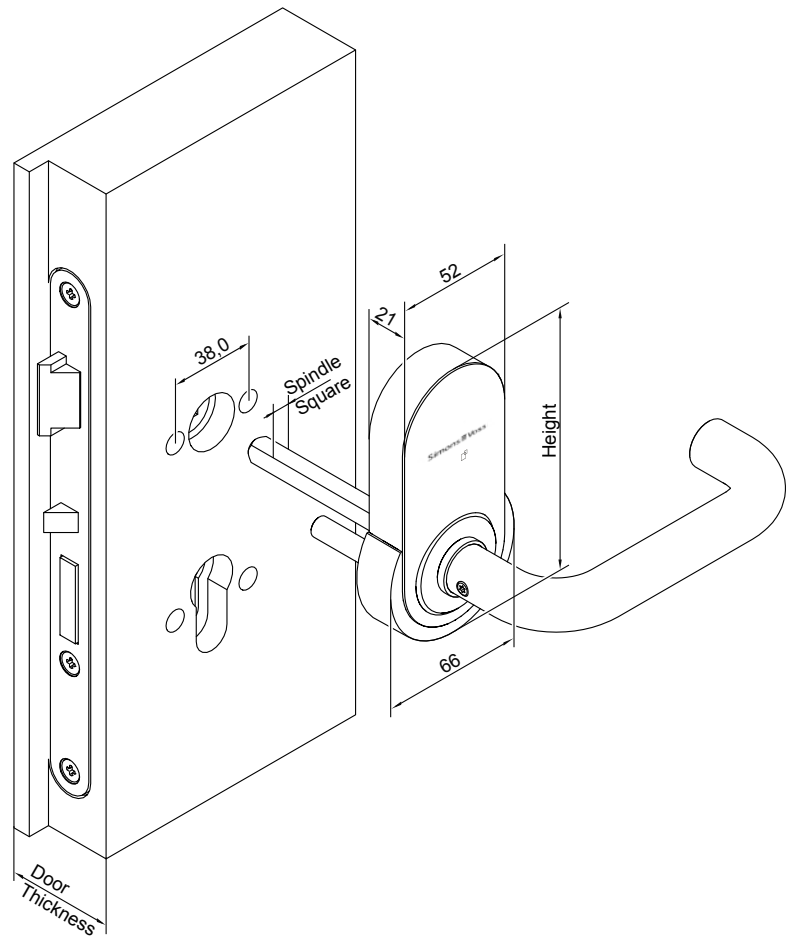
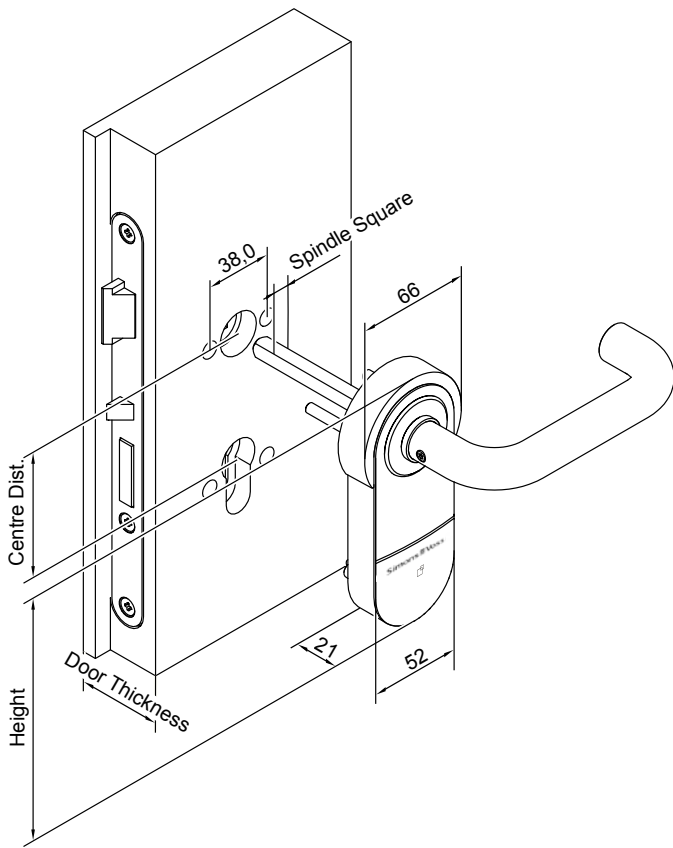
- ❑ Provide a flexible solution to any situation on site: SmartHandle AX can be adapted to the spindle, door thickness and centres distance. The handle itself can be mounted on the left or right. Suitable for metal frame doors and mounting on oval escutcheons.  
Can be combined with a panic bar.
- ❑ Exceptionally long battery life (up to 180,000 activations in wireless online mode)
- ❑ Room for beauty: with its characteristic, adaptive design, the AX fitting can be combined with standard handles from renowned manufacturers.
- ❑ Maximum data security thanks to the integrated Secure Element.
- ❑ Operational reliability is decisive. That's why we have invested in mechanical and electronic quality and stability with the AX fitting. SmartHandle AX features extremely precise handle clearance. It has successfully completed a durability test of 1 million cycles.
- ❑ Made in Germany.  
A given for us.

// **TECHNICAL DATA**

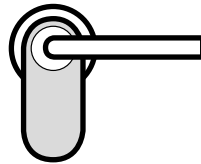
Variants	<ul style="list-style-type: none"> <li>❑ Euro Profile cylinder (A)</li> <li>❑ Swiss Round (B)</li> </ul>	Operation types	Virtual Card Network and Online (Wireless Online)
Dimensions Variant A0/B0 (WxHxD)	66 x 120 x 21 mm	Battery type	4x CR2450, 3 V, lithium.
Dimensions Variant A1/B1 (WxHxD)	66 x 140 x 21 mm	Battery life Wireless Online	Up to 180,000 activations. or up to 9 years on stand-by
Dimensions Variant A2/B2 (WxHxD)	66 x 174 x 21 mm	Battery life Virtual Card Network	Up to 150,000 activations or up to 9 years on stand-by
Dimensions Variant A3 (WxHxD)	66 x 120 x 26 mm	Temperature range	Operational: -25°C to +50 °C
Dimensions Variant A4 (WxHxD)	66 x 120 x 25 mm	Signalling	Audible (buzzer) Visual (LED – green/red)
Door dimension specifications	<ul style="list-style-type: none"> <li>❑ Door thickness: 38 - 200 mm</li> <li>❑ Centres distance: 70 - 110 mm</li> <li>❑ Spindle: 7   8   8.5   9   10</li> </ul>	Can be upgraded	Firmware upgradable
Read systems	<ul style="list-style-type: none"> <li>❑ Wireless Online: MIFARE® Classic, MIFARE® DESFire® / EV1/EV2, UID (card serial number) in accordance with ISO 14443 (z.B. MIFARE®, Legic® Advant, HID® SEOS)</li> <li>❑ Virtual Card Network: MIFARE® Classic, MIFARE® DESFire® / EV1/EV2</li> <li>❑ BLE ready</li> </ul>	Certificates	<ul style="list-style-type: none"> <li>❑ MPA National Technical Approval Test Certificate</li> <li>❑ DIN EN 1634</li> <li>❑ DIN EN 179</li> <li>❑ EN 1906 (Grade 4)</li> <li>❑ DIN EN 1125</li> <li>❑ PAS24</li> </ul>

// SUSPENDED VARIANT

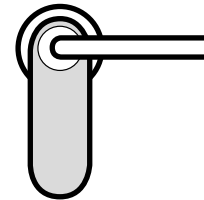
// STATIONARY VARIANT



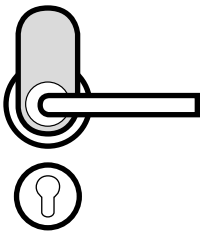
// VARIANTS



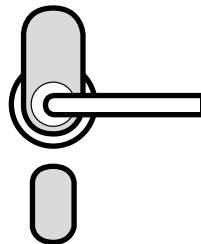
**A1 / B1** for mortise lock centres distance: 70-79 mm



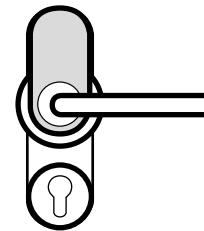
**A2 / B2** for mortise lock centres distance: 70-110 mm



**A0 / B0** can be supplied with escutcheon covers with/without Profile Cylinder cut-out



**A3** for metal frame doors with oval escutcheons (50 mm hole pattern) – profile width: min. 65 mm



**A4** for panic bar adaptation. Observe compatibility.



// HANDLES

**A**



**C**



**L**



**B**



**D**



// FINISHES

Silver/white

Silver/black grey

Brass/white